

S3215E/S3219E

ELECTRIC SLAB SCISSOR LIFTS



- Self-propelled electric scissor lifts
- Compact & nimble
- Drives through a standard doorway
- Suitable for indoor and outdoor use
- Easy to use & maintain

 **snorkel**[™]
www.snorkellifts.com

ELECTRIC SLAB SCISSOR LIFTS

S3215E/S3219E

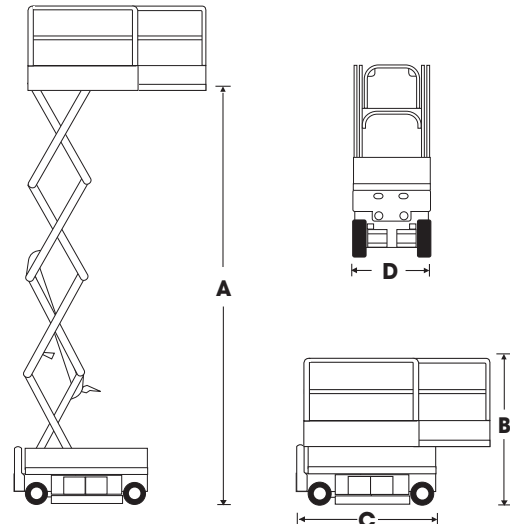
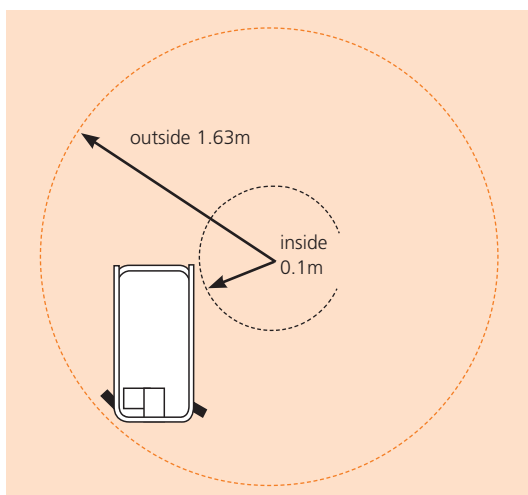
| DIMENSIONS | S3215E | S3219E |
|---------------------------------|---------------|---------------|
| Max. working height | 6.6m | 7.79m |
| Max. platform height (A) | 4.6m | 5.79m |
| Platform size (stowed) | 0.72m x 1.62m | 0.72m x 1.62m |
| Platform size (extended) | 0.72m x 2.53m | 0.72m x 2.53m |
| Extension deck length | 0.91m | 0.91m |
| Overall length (with step) (C) | 1.78m | 1.78m |
| Overall length (without step) | 1.73m | 1.73m |
| Overall width (D) | 0.81m | 0.81m |
| Stowed height (B) | 2.02m | 2.11m |
| Min. height (guardrails folded) | 1.59m | 1.65m |
| Ground clearance (stowed) | 66mm | 66mm |
| Ground clearance (elevated) | 19mm | 19mm |

| PERFORMANCE | | |
|-----------------------------|---------------------------|-----------|
| Platform capacity (SWL) | 272kg | 250kg |
| Max. drive height | 4.6m | 5.79m |
| Max. wind speed | 12.5m/s | 12.5m/s |
| Max. drive speed (stowed) | 3.2km/h | 3.2km/h |
| Max. drive speed (elevated) | 0.6km/h | 0.6km/h |
| Raise/lower time | 20/36 sec | 20/38 sec |
| Gradeability | 25% | 25% |
| Inside turning radius | 0.1m | 0.1m |
| Outside turning radius | 1.63m | 1.63m |
| Tires | 12 x 4 non-marking rubber | |
| Controls | proportional | |
| Drive system | 2 wheel drive | |

| POWER | | |
|--------------|-------------------------|--|
| Power source | 24V DC battery electric | |
| Charger | 90 - 240V, 25amp | |

| WEIGHT | | |
|--------|---------|---------|
| Weight | 1,227kg | 1,614kg |

TURNING RADIUS



STANDARD FEATURES

- Roll-out deck extension with dual locks
- Non-marking tyres
- Loading control pendant
- Swing-out service trays
- Saloon-door style entry gates
- Descent alarm
- All motion alarm
- 2 persons indoor
- 1 person outdoor
- Proportional controls, including descent
- Power line to platform
- Hour meter & onboard diagnostics display
- Integrated battery charger
- Battery condition indicator
- Crane & forklift points
- Dual lanyard attachments points
- Flashing amber light
- Scissor stack roller slide plates (set of 2)
- 2 year parts & labour, 5 year structural warranty
- CE approved

OPTIONS

- Special paint colours
- Snorkel Guard™ secondary guarding system
- Environmental hydraulic oil
- Airline to platform
- Aircraft bumpguard package
- Panel carrier
- Pipe rack
- Top rail

snorkel www.snorkellifts.com

Vigo Centre, Birtley Road,
Washington, Tyne & Wear,
NE38 9DA, U.K.

t: +44 (0) 845 1550 057
e: sales.emea@snorkellifts.com